



**PERFORMANCE DATA SHEET
NEMA PREMIUM NR CAN NEMA 12 - 12**

Catalogue #: MQOP-111

| HP | kW | Voltage | S.F. @ 60Hz | EFF. | P.F. | Frame | Design | L.R. Amps |
|-----|--------|---------|-------------|-------|------|-------|--------|-----------|
| 350 | 261,10 | 460 | 1,15 | 95,4% | 0,92 | 449TS | B | 2550 |

| 60 Hz | | | | | | | | Code | F.L. RPM |
|-------|-----|-----|--------|-----|-----|-----|--|------|----------|
| 208 | 230 | 416 | 460 | 480 | 575 | 600 | | | |
| / | / | / | 373,00 | / | / | | | G | 3580 |

| 50 Hz | | | | | | | | |
|-------|-----|-----|-------------|------------|--------------|------|----------|--|
| FLA | | | S.F. @ 50Hz | Efficiency | Power Factor | Code | F.L. RPM | |
| 190 | 380 | 415 | | | | | | |
| / | 460 | | 1,00 | 94,5% | 0,910 | E | 2980 | |

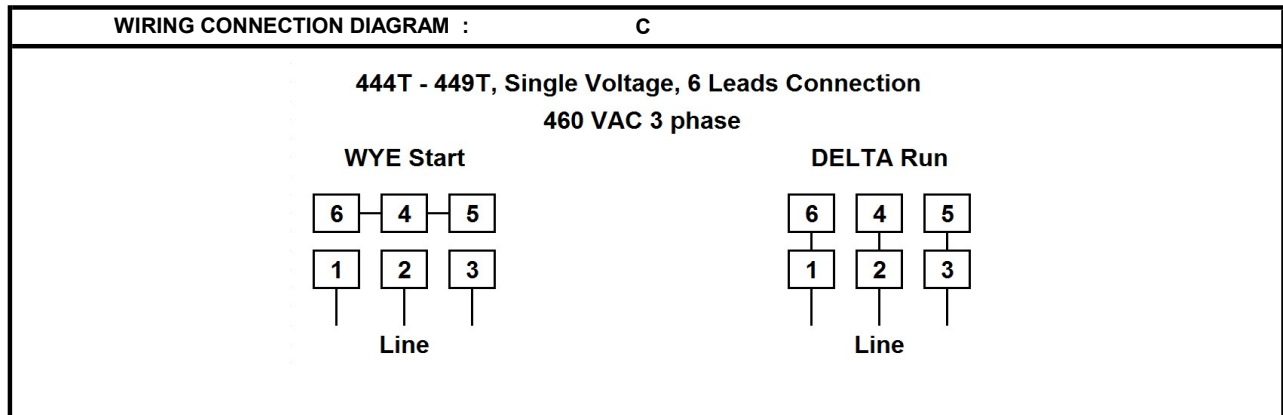
| Wgt. Lbs | PH | Duty | Insul. Class | Amb. | Elevation | Temp. Rise° C |
|----------|----|-------|--------------|------|------------------|---------------|
| 2400 | 3 | Cont. | F | 40°C | 1000M (3,300 Ft) | < 80 |

| % Efficiency | | % Power Factor | | Torque | | Winding Resist. Ω | Safe Cold Start (Secs) |
|--------------|-------|----------------|------|------------------|-------|-------------------|------------------------|
| Full Load: | 95,4% | Full Load: | 0,92 | Full Load Ft/Lbs | 513,5 | | |
| 3/4 Load: | 95,1% | 3/4 Load: | 0,90 | Locked Rotor % | 130 | | |
| 1/2 Load: | 94,7% | 1/2 Load: | 0,85 | Break Down % | 245 | 0 | 20 |

| Rotor Inertia Wk2 Lb-Ft2 | Max Load Inertia Wk2 Lb-Ft2 | Shaft Material | Frame Material | DE Bracket Type | ODE Bracket Type | Enclosure | NEMA Rating | Lead Wire Size |
|--------------------------|-----------------------------|----------------|----------------|-----------------|------------------|-----------|-------------|----------------|
| 94,92 | 1500 | 1045 | Cast Iron | Cast Iron | Cast Iron | ODP | IP23 | 0AWG |

| Ball Bearings | | Grease | Mount Type | Orientation | Paint | Sound Pressure @ 3FT | Sound Power |
|---------------|------|-----------------|------------|-------------|---------|----------------------|-------------|
| DE | ODE | | | | | | |
| 6314 | 6314 | Mobil PolyrexEm | Rigid | Horizontal | RAL6022 | 93 | 105 |

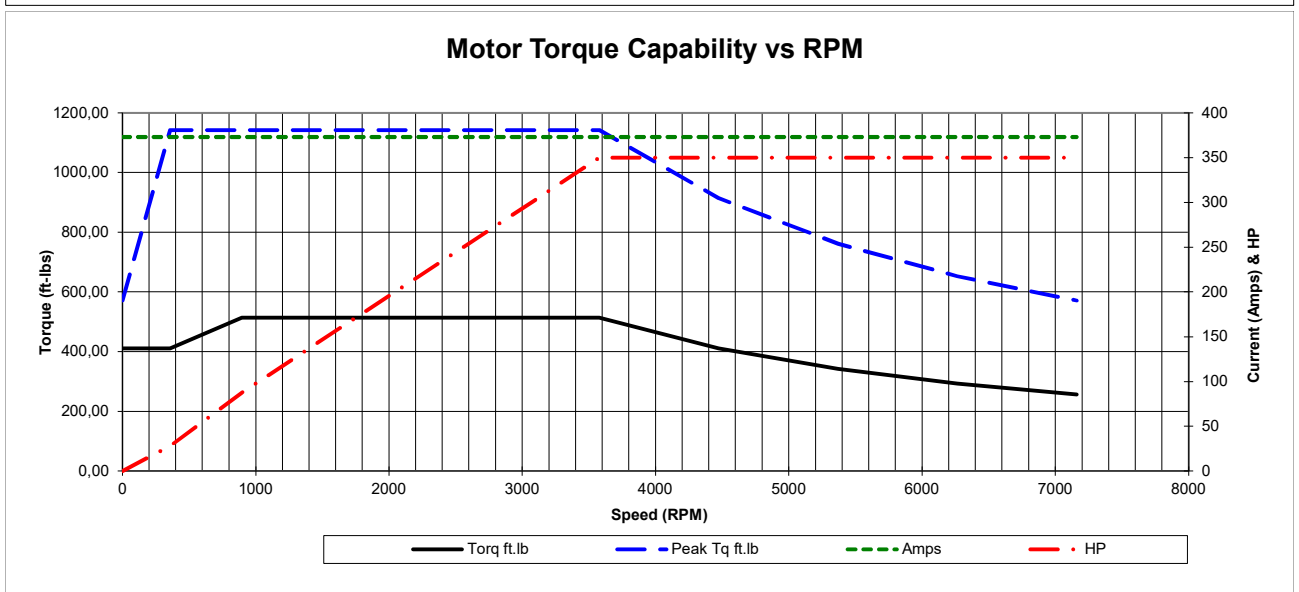
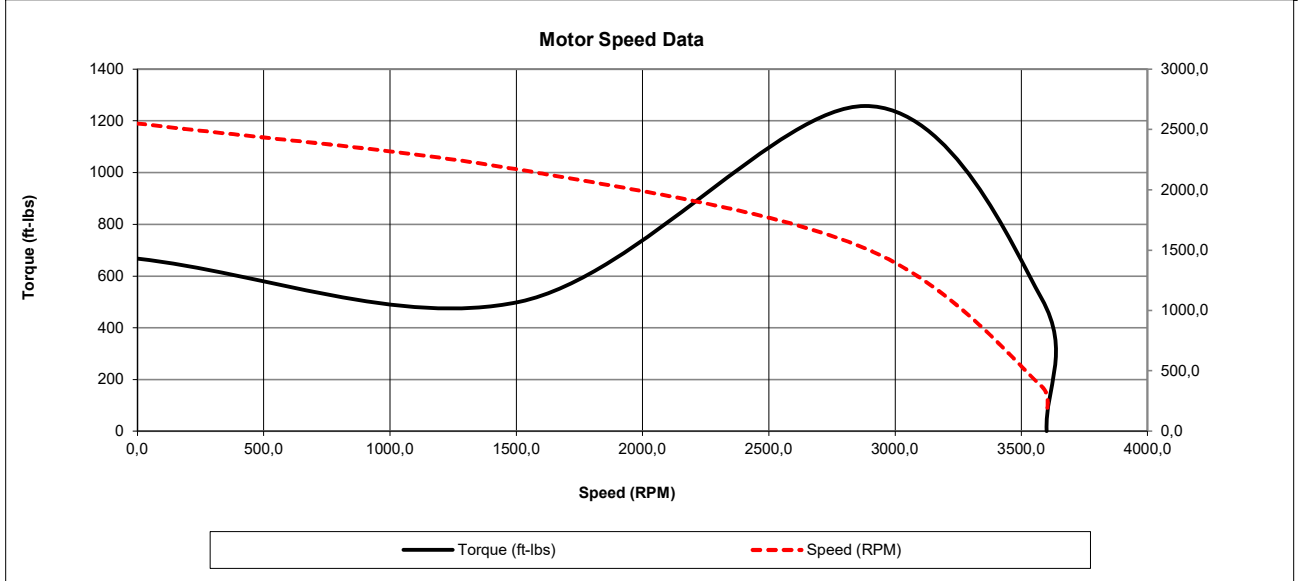
| Inverter Duty, Motor meets MG1 parts 31.4.4.2 | VFD SF | Constant Torque Range | Variable Torque Range | Constant HP RPM |
|---|--------|-----------------------|-----------------------|-----------------|
| | 1,00 | 10:1 | 20:1 | 5400 |



Date: 2023-12-13
 Customer: _____
 Contact: _____
 Submittee: J.C. Lavallée

Catalogue #: **MQOP-111**

| NEMA PREMIUM NR CAN NEMA 12 - 12 | | | | | | | | | | |
|----------------------------------|--------------|---------|-----------|------------|-----------|--------------------------------------|--------|----------------|------------------|---------------|
| HP | VAC | RPM | Enclosure | Frame | Frequency | Design | Poles | LR Code Letter | Insulation Class | Temp. Rise °C |
| 350 | 460 | 3580 | ODP | 449TS | 60 Hz | B | 2 | G | F | < 80 |
| | 0Hz | 6Hz | 15Hz | 30Hz | 45Hz | 60 Hz | 75Hz | 90Hz | 105Hz | 120Hz |
| Amps | 373 | 373 | 373 | 373 | 373 | 373 | 373 | 373 | 373 | 373 |
| RPM | 0 | 358 | 895 | 1790 | 2685 | 3580 | 4475 | 5370 | 6265 | 7160 |
| Torq ft.lb | 410,77 | 410,77 | 513,46 | 513,46 | 513,46 | 513,46 | 410,77 | 342,31 | 293,41 | 256,73 |
| Peak Tq ft.lb | 571,23 | 1142,46 | 1142,46 | 1142,46 | 1142,46 | 1142,46 | 913,97 | 761,64 | 652,83 | 571,23 |
| HP | 0 | 28,0 | 87,5 | 175,0 | 262,5 | 350,0 | 350,0 | 350,0 | 350,0 | 350,0 |
| | Locked Rotor | Pull-Up | Breakdown | Rated Load | Idle | Duty | S. F. | Ambient | Elevation | dBA @ 1M |
| Speed (RPM) | 0,0 | 1512 | 2880 | 3580 | 3600 | Continuous | 1,15 | 40°C | 3,300 ft | 93 |
| Current (Amps) | 2550,0 | 2167,5 | 1517,3 | 373,0 | 141,7 | VFD Rating: Meets MG1 parts 31.4.4.2 | | | | |
| Torque (ft.-lbs) | 667,5 | 500,6 | 1258,0 | 513,5 | 0,0 | C.T. | 10:1 | V.T. | 20:1 | VFD SF 1.00 |





Date: 2023-12-13
 Customer: _____
 Contact: _____
 Submittee: J.C. Lavallée

Catalogue #: **MQOP-111**

| NEMA PREMIUM NR CAN NEMA 12 - 12 | | | | | | | | | | |
|----------------------------------|--------------|---------|-----------|------------|-----------|--------------------------------------|--------|----------------|------------------|---------------|
| HP | VAC | RPM | Enclosure | Frame | Frequency | Design | Poles | LR Code Letter | Insulation Class | Temp. Rise °C |
| 350 | 460 | 3580 | ODP | 449TS | 60 Hz | B | 2 | G | F | < 80 |
| Load % | 0% | 25% | 50% | 75% | 100% | 125% | 150% | | | |
| Amps | 141,74 | 123,09 | 220,82 | 291,31 | 373,00 | 469,50 | 577,04 | | | |
| Torq ft/lbs | 0 | 127,83 | 256,02 | 384,56 | 513,46 | 642,73 | 772,35 | | | |
| RPM | 0 | 3595 | 3590 | 3585 | 3580 | 3575 | 3570 | | | |
| Eff | 0 | 93,48 | 94,70 | 95,10 | 95,40 | 93,90 | 93,53 | | | |
| PF | 0 | 71,2 | 85 | 90 | 92 | 92,92 | 91,08 | | | |
| | Locked Rotor | Pull-Up | Breakdown | Rated Load | Idle | Duty | S. F. | Ambient | Elevation | dBa @ 1M |
| Speed (RPM) | 0 | 1512 | 2880 | 3580 | 3600 | Continuous | 1,15 | 40°C | 3,300 ft | 93 |
| Current (Amps) | 2550 | 2167,5 | 1517,3 | 373 | 141,74 | VFD Rating: Meets MG1 parts 31.4.4.2 | | | | |
| Torque (ft-lbs) | 667,50 | 500,63 | 1257,99 | 513,46 | 0,0 | C.T. | 10:1 | V.T. | 20:1 | VFD SF 1.00 |

